

Superboard Series

The New Industry Standard.



PDL's DBF AND DBS SERIES DISTRIBUTION BOARDS

FEATURES

- Robust, durable construction
- Unique double doors open 180° with minimum projection
- Light grey colour standard, can be painted to suit décor requirements
- Flush boards have unique flanges which support the wall board between studs, eliminating the need for dwangs
- Ample wiring room on all sides
- Removable DIN rails can be workshop assembled and fitted into boards at final stage
- Supplied complete with insulated busbars, neutral and earth bars, spare way fillers, circuit labels, earth bonding wire and tag, N & E links
- Flush board can be fitted to 75mm, (3") walls
- Available in 1 to 4 rows, 15 – 60 ways Surface
- Available in 1 to 4 rows, 10 – 60 ways Flush
- Complies to AS/NZ3439.3

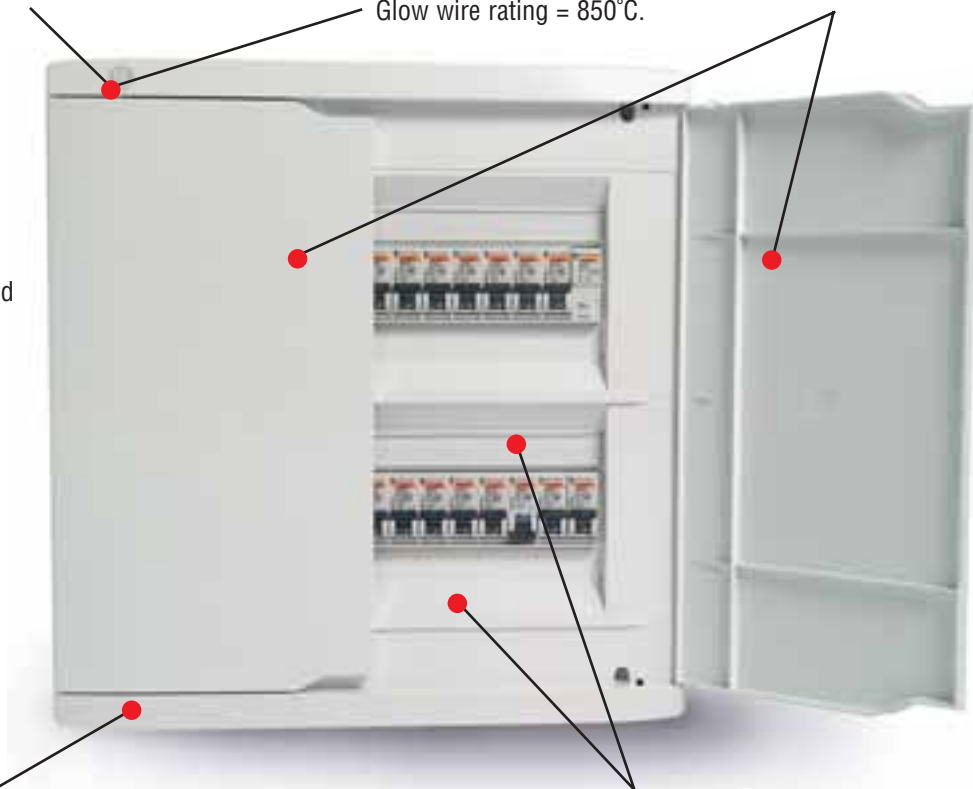


Doors and cable entries manufactured from high impact, UV stabilised engineering grade resin.

Doors open 180°.

Glow wire rating = 850°C.

20mm overhang minimum all around the boards to hide gaps in the wall (DBF Series).

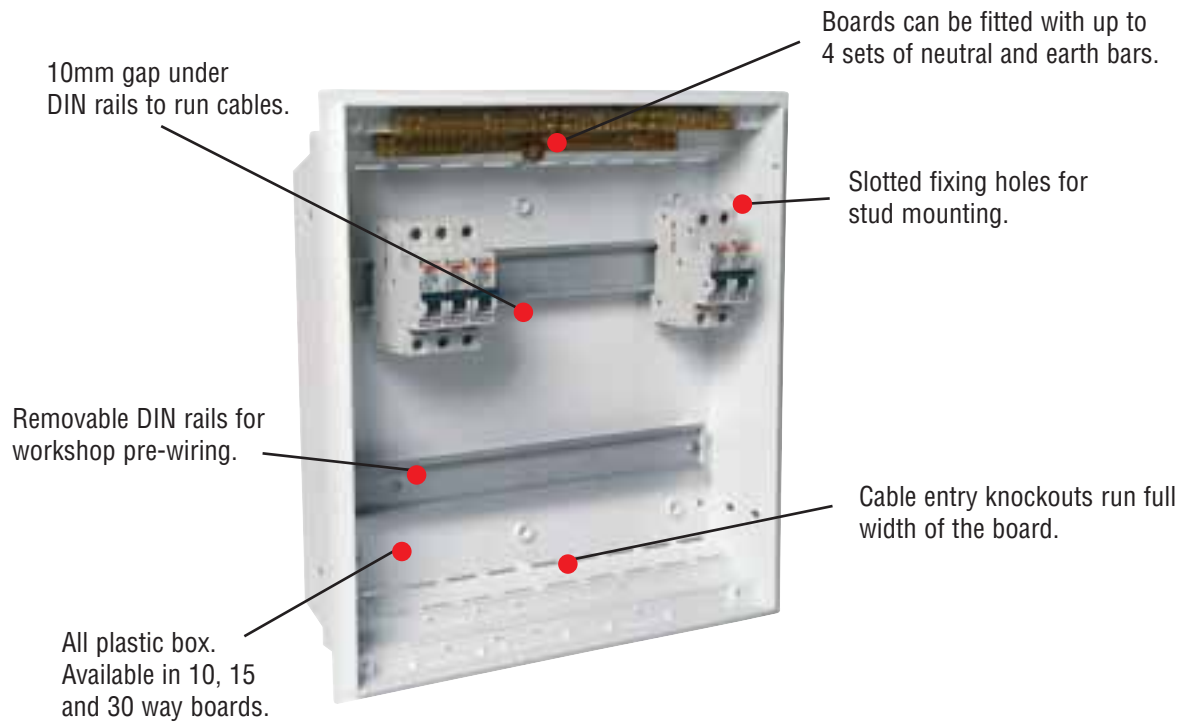


Removable front cover allows easy access for wiring and pre-installation of the wall box.

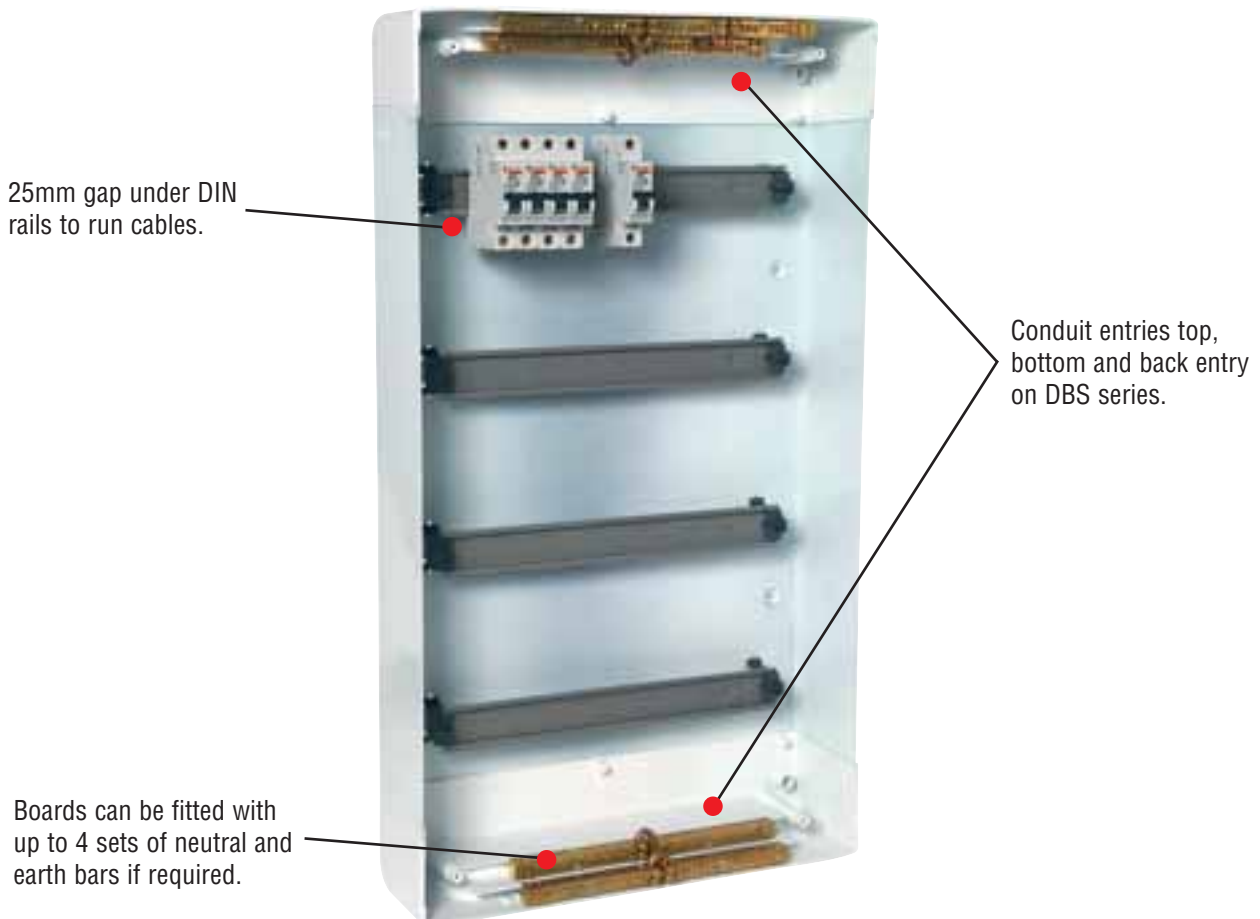
Ample room for circuit labelling top and bottom, transparent cover provided to protect labelling.

Covers are common to both DBF and DBS Series.

DBF SERIES



DBS SERIES



BOARDS & ENCLOSURES

**DBF Series
Flush Mounting**

Page 6



**DBS Series
Surface Mounting**

Page 8



**ME Series
Surface Mounting**

Page 9



**SE Series
Surface Enclosures**

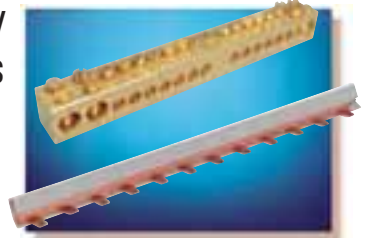
Page 10



CONNECTION SYSTEMS

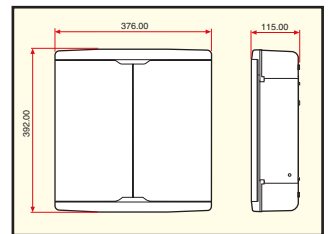
**Busbars & Earth/
Neutral Bars**

Page 11



DIMENSIONAL DRAWINGS

Pages 22–26



CIRCUIT PROTECTION DEVICES

MCBs
Page 12



RCBOs
Page 13



RCCBs
Page 14



Isolating Switches
Page 16



Voltage Surge Protectors
Page 17



CONTROL DEVICES

Time Switches
Page 18



Contactors
Page 20



TRANSFORMER

Bell Transformer
Page 19



MEASURING DEVICES

Meters
Page 19



DBF SERIES – FLUSH MOUNTING BOARDS

IP40



PJL Superboard Series
The New Industry Standard.

PDL's slim-line flush mounting distribution boards are available in 1 – 4 rows, 10 – 60 ways.

Unique double doors provide minimum projection and 180° opening.

The boards can be fitted to 75mm (3") walls.

The cover and top/bottom cable entries are manufactured from engineering grade resin.

Insulated busbars, neutral and earth bars, spare way fillers, circuit labels, earth bonding wire and tag, N & E links are provided.



1 Row, 10 Way Total

Cat No. DBF10

Busbar: 1 x 10 Way Insulated
N Bar: 2 x 5 Way
E Bar: 1 x 9 Way
Spare Way Fillers: 1 x 7.5 Way Strip
Cover Size: 286W x 258H x 20D
Hole Size: 246W x 223H x 80D inc. wallboard



1 Row, 15 Way Total

Cat No. DBF15

Busbar: 1 x 15 Way Insulated
N Bar: 2 x 7 Way
E Bar: 1 x 13 Way
Spare Way Fillers: 1 x 7.5 Way Strip
Cover Size: 376W x 258H x 20D
Hole Size: 335W x 223H x 80D inc. wallboard



2 Rows, 30 Way Total

Cat No. DBF30

Busbar: 2 x 15 Way Insulated
N Bar: 1 x 13 and 2 x 7 Way
E Bar: 2 x 13 Way
Spare Way Fillers: 2 x 7.5 Way Strip
Cover Size: 376W x 392H x 20D
Hole Size: 335W x 357H x 80D inc. wallboard

DBF SERIES – FLUSH MOUNTING BOARDS (Cont)



3 Rows, 45 Way Total

Cat No. DBF45

Busbar: 3 x 15 Way Insulated
N Bar: 2 x 13 and 2 x 7 Way
E Bar: 3 x 13 Way
Spare Way Fillers: 2 x 7.5 Way Strip
Cover Size: 376W x 526H x 20D
Hole Size: 335W x 491H x 80D inc. wallboard



4 Rows, 60 Way Total

Cat No. DBF60

Busbar: 4 x 15 Way Insulated
N Bar: 3 x 13 and 2 x 7 Way
E Bar: 4 x 13 Way
Spare Way Fillers: 3 x 7.5 Way Strip
Cover Size: 376W x 660H x 20D
Hole Size: 335W x 625H x 80D inc. wallboard

Dimensional Drawings on Page 22.

DBS SERIES – SURFACE MOUNTING BOARDS



IP40

PJL Superboard Series
The New Industry Standard.

PDL's robust surface mounting distribution boards are available in 1 – 4 rows, 15 – 60 ways.

Extra wiring room is provided for ease of cable entry. Doors open 180° with minimum projection.

The cover and top/bottom conduit entry are manufactured from engineering grade resin.

Insulated busbars, neutral and earth bars, spare way fillers, circuit labels, earth bonding wire and tag are provided.



1 Row, 15 Way Total

Cat No. DBS15

Busbar: 1 x 15 Way Insulated
N Bar: 2 x 7 Way
E Bar: 1 x 13 Way
Spare Way Fillers: 1 x 7.5 Way Strip
Board Size: 376W x 258H x 115D



2 Rows, 30 Way Total

Cat No. DBS30

Busbar: 2 x 15 Way Insulated
N Bar: 1 x 13 and 2 x 7 Way
E Bar: 2 x 13 Way
Spare Way Fillers: 2 x 7.5 Way Strip
Board Size: 376W x 392H x 115D



3 Rows, 45 Way Total

Cat No. DBS45

Busbar: 3 x 15 Way Insulated
N Bar: 2 x 13 and 2 x 7 Way
E Bar: 3 x 13 Way
Spare Way Fillers: 2 x 7.5 Way Strip
Board Size: 376W x 526H x 115D



4 Rows, 60 Way Total

Cat No. DBS60

Busbar: 4 x 15 Way Insulated
N Bar: 3 x 13 and 2 x 7 Way
E Bar: 4 x 13 Way
Spare Way Fillers: 3 x 7.5 Way Strip
Board Size: 376W x 660H x 115D

Dimensional Drawings on Page 23.

ME SERIES – SURFACE MOUNTING BOARDS



**IP40
Utility board**

PDL's compact surface mounting distribution boards are available in 5 – 12 ways. Manufactured from engineering grade resin. The boards are particularly easy to wire due to the open back construction. Insulated busbars, neutral and earth bars, spare way fillers, circuit labels, earth bonding wire and tag are provided.



5 Way

Cat No. ME5

Busbar: 1 x 5 Way Insulated
N Bar: 2 x 7 Way
E Bar: 1 x 13 Way
Spare Way Fillers: 2
Board Size: 111W x 206H x 102D



9 Way

Cat No. ME9

Busbar: 1 x 9 Way Insulated
N Bar: 2 x 7 Way
E Bar: 1 x 13 Way
Spare Way Filler: 4
Board Size: 190W x 206H x 102D



12 Way

Cat No. ME12

Busbar: 1 x 12 Way Insulated
N Bar: 2 x 7 Way
E Bar: 1 x 13 Way
Spare Way Fillers: 5
Board Size: 272W x 206H x 102D

Dimensional Drawings on Page 24.

SE SERIES – SURFACE MOUNTING ENCLOSURES



PDL's surface mounting enclosures are suitable for individual or multiple ways of DIN rail mounted devices i.e. MCB, RCD etc.

Enclosures are in two parts – base and cover – with cable entry options via the surface or rear.



2 Way

Cat No. SE2

Minimum Opening: 18mm (1 pole)

Maximum Opening: 36mm (2 pole)

Back Entry Knockouts: 2

Enclosure Size: 53W x 133H x 70D



4 Way

Cat No. SE4

Minimum Opening: 18mm (1 pole)

Maximum Opening: 72mm (4 pole)

Back Entry Knockouts: 4

Enclosure Size: 89W x 133H x 70D



6 Way

Cat No. SE6

Minimum Opening: 18mm (1 pole)

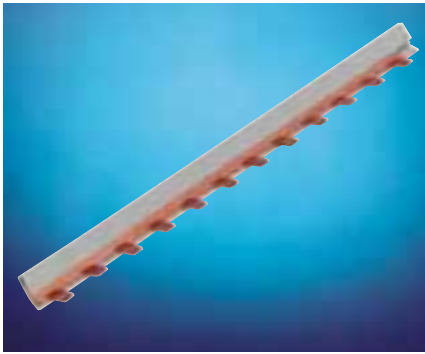
Maximum Opening: 108mm (6 pole)

Back Entry Knockouts: 6

Enclosure Size: 125W x 133H x 70D

Dimensional Drawings on Page 24.

CONNECTION SYSTEMS



Busbars

Cat No. MG 15



**Earth Bar
Neutral Bar**

Cat No. DBF 15/13

Cat No. DBF 15/12



Earth/Neutral Bar Links

Cat No. DBF 15/10



Pole Fillers

Cat No. DBF 15/23

7.5 Way pole filler strip to suit all PDL distribution boards and enclosures.



Earth Conductor Tags

Cat No. 4DBE

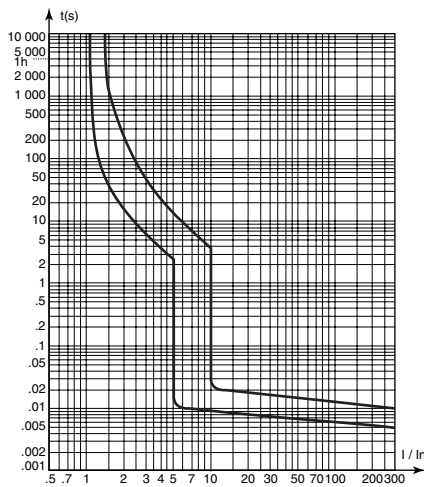
MINIATURE CIRCUIT BREAKERS – MCBs



The circuit-breakers combine the following functions:

- C60a circuit-breakers are used in the domestic sectors where single phase fault levels are less than or equal to 4.5kA.
- protection of circuits against short-circuit currents,
- protection of circuits against overload currents,
- control,
- isolation,
- protection of persons against indirect contact.
- All breakers are tested and comply with IEC898 and AS4898 and have Australian approval.

Tripping Characteristics Curve



C Curve for general use.

Technical Data

C60a Circuit-Breakers

- power circuit
- voltage rating: 240V AC
- number of cycles (O-C): 10 000
- foolproof terminal design
 - moving barrier prevents incorrect cable insertion
 - cable strand centering guides ensure correct cable positions and strand grouping
- isolation with positive contact indication
- bistable din clip, simplifies disassembly
- environment
- tropicalisation: treatment 2 (relative humidity: 95% at 55°C)
- connection: tunnel terminals for the following cables:
 - up to 25A : 25mm² stranded
 - 32 to 63A : 35mm² stranded

C Curve

Utilisation

cables feeding conventional loads.

Technical Data

- power circuit
- tripping curves: the magnetic trip unit operates between 5 and 10 In.



Approval No: N13634



4.5 kA MCBs C Curve

- 1 Pole 6A
- 1 Pole 10A
- 1 Pole 16A
- 1 Pole 20A
- 1 Pole 25A
- 1 Pole 32A
- 1 Pole 40A

- Cat No. 11354**
- Cat No. 11355**
- Cat No. 11356**
- Cat No. 11357**
- Cat No. 11339**
- Cat No. 11358**
- Cat No. 11359**

Dimensional Drawings on Page 25.

RESIDUAL CURRENT BREAKERS WITH OVERCURRENT PROTECTION – RCBOs

The DPN Vigi self-contained residual current device carries out complete protection of final circuits (overcurrents and insulation faults).

- protection of persons against indirect contact (30mA)
- additional protection of persons against direct contact (30mA)

Technical Data

- voltage rating: 240V AC
- breaking capacity:
 - EN 60.898/EN 61.009:
 - rated breaking capacity (I_{cn}): 6kA
 - rated residual breaking and making capacity (phase/earth): 6kA
 - fast closing
 - positive contact indication
 - earth fault visualised on front face
- durability (O-C cycle):
 - mechanical: 20 000
 - electrical:
 - ≤ 20A: 20 000
 - 25A: 15 000
 - 32A: 10 000
- environment:

- tropicalisation: treatment 2 (relative humidity: 95% at 55°C)

- complies to AS 3190
- weight: 190g
- connection: tunnel terminals for 10mm² flexible or 16mm² rigid cables

C Curve

- tripping curve: the magnetic trip units operate between 5 and 10 I_n.



1 Pole + Neutral,	6A
1 Pole + Neutral,	10A
1 Pole + Neutral,	16A
1 Pole + Neutral,	20A
1 Pole + Neutral,	25A
1 Pole + Neutral,	32A
1 Pole + Neutral,	40A

Cat No. 19541
Cat No. 19542
Cat No. 19543
Cat No. 19544
Cat No. 19545
Cat No. 19546
Cat No. 19547

Dimensional Drawings on Page 25.

RESIDUAL CURRENT CIRCUIT BREAKERS – RCCBs




Merlin Gerin's range of residual current circuit breakers (RCCBs) constantly monitor the balance of current flow between phase and neutral.

All sockets connected downstream in the same circuit as the RCCB are protected against a fault between Phase and Earth or Neutral and Earth.

The RCCBs are tested to and comply with AS3190. They are type A for detecting alternating and pulsating direct ground fault currents.

Technical Data

Rated Tripping Current $I_{\Delta n}$: 30mA
Rated Short Circuit Capacity: 10kA
Type: A 
Standards Complying to: AS3190
Terminals Accommodate up to 35mm² flexible cables
50mm² rigid cables



2 Pole, 40A, 240V
2 Pole, 63A, 240V

Cat No. 23358
Cat No. 23362



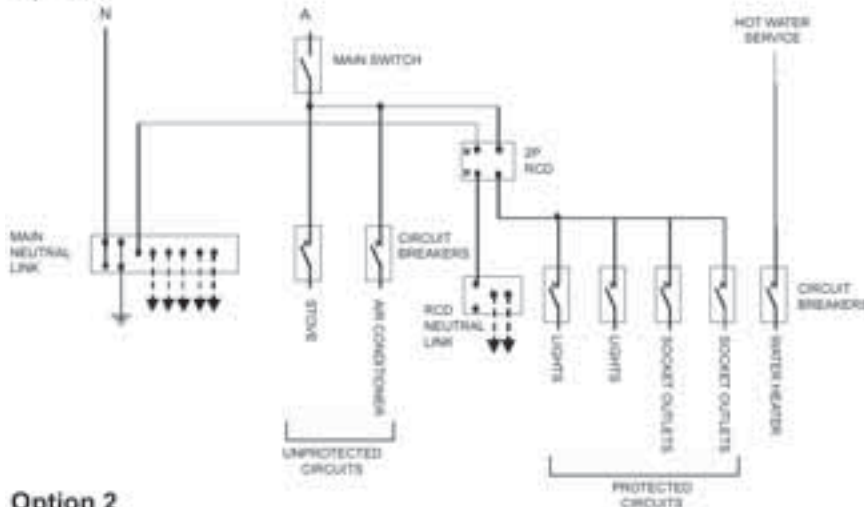
4 Pole, 40A, 415V
4 Pole, 63A, 415V

Cat No. 23382
Cat No. 23386

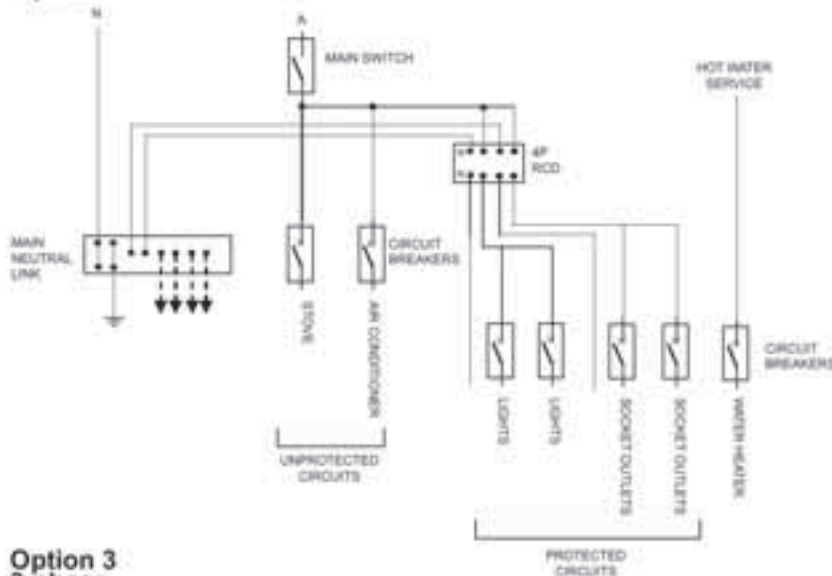
Dimensional Drawings on Page 25.

RCCB SAFETY SWITCH – WIRING DIAGRAM RESIDENTIAL APPLICATIONS

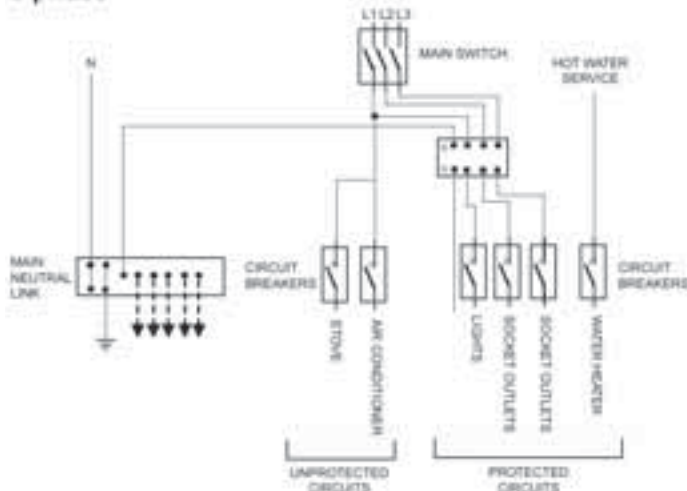
**Option 1
1 phase**



**Option 2
1 phase**



**Option 3
3 phase**



A RCCB Safety Switch detects a residual leakage current from active or neutral to earth, such as current from active through a person to earth. It does NOT operate on load current or fault currents active to neutral.

Test Operation

Press trip test button.

- Handle on the RCCB and circuit-breaker should move down to “off” position.
- The RCCB can also be tested by using a test lamp (say 25W) from active to earth on the loadside.
- If the unit does not trip, call a qualified electrician.
- To restore power, after trip, move RCCB and circuit-breaker handle up for “on”. This resets the RCCB.

Basic Precautions

Electricity can be dangerous. Do not regard the RCCB as a substitute for safe electrical practices. Do not inspect or repair equipment that is not isolated.

ISOLATING SWITCHES



The I switches combine the following functions:

- control (opening and closing of on-load circuits),
- disconnection

Technical Data

- compliance with standards:
 - 63 A: EN 60669-1, IEC 669-1
 - I 63 and 100, IEC 947-3:
 - degree of pollution 3
 - isolating voltage 500V AC
 - impulse voltage 6kV
 - degree of protection IP 4 on the front panel
 - frequency 50...60 Hz
- isolation with positive contact indication
- DC application: 48 (110V with 2 series-connected poles)
- mechanical endurance:
 - I 63 and 100: 50,000 operating cycles
- electrical endurance: AC22, p.f. = 0.6
 - I = 63A: 20,000 operating cycles
 - I = 100A: 10,000 operating cycles
- short-circuit withstand: $20 \times I_n$: 1 s
- tropicalisation: treatment 2 (relative humidity 95% at 55°C)
- connection by tunnel terminals for:
 - 50mm² rigid cables or comb busbars, 35mm² supple cables for I 63 and 100



Single Pole Isolating Switches

- 1 Pole, 63A, 250V AC
- 1 Pole, 100A, 415V AC

Cat No. 15013
Cat No. 15090



Double Pole Isolating Switches

- 2 Pole, 63A, 415V AC
- 2 Pole, 100A, 415V AC

Cat No. 15014
Cat No. 15091



Three Pole Isolating Switches

- 3 Pole, 63A, 415V AC
- 3 Pole, 100A, 415V AC

Cat No. 15015
Cat No. 15092

Dimensional Drawings on Page 25.

VOLTAGE SURGE PROTECTORS

ST surge arrestors are designed to protect equipment on energy networks using TN-S, TN-C and MEN earthing systems. They are not recommended on TT systems and are forbidden on IT systems. Each surge arrester in the range has a specific use:

- incomer end protection:
 - the STM is recommended for a medium to high risk level
- secondary protection:
 - the STD ensures secondary protection of loads to be protected and is placed in a cascading configuration with surge arrestors at the incomer end

Common Technical Data

- frequency: 50...60 Hz
- Uc: 275V
- operation indication by means of a mechanical indicator:
 - white: normal operation
 - red: surge arrester must be immediately replaced
- disconnection of the short-circuited surge arrester to be conducted with a circuit-breaker
- permissible internal short-circuit current for STD: 10kA
- permissible internal short-circuit current for STM and STH:
 - 1P: 10kA
 - upstream and downstream terminal connection:
 - flexible cable: 2.5 to 16mm²

- rigid cable: 2.5 to 25mm²
- flexible or rigid cable $\geq 10\text{mm}^2$ if installation with lightning conductor
- operating temperature:
 - 25°C, +60°C
- storage temperature:
 - 40°C, +70°C
- protection class:
 - IP20 at terminals
 - IP40 on front panel
- weight (g):
 - 1P: 60
 - 1P+N: 106
 - 3P: 220
 - 3P+N: 250.

Standard

- IEC 61643-11 class 2 test.

Specific Technical Data

STM

- common mode protection:
 - I_{max} (8/20 μs): 40kA
 - I_n (8/20 μs): 15kA
 - U_p: 1.2kV.

STD

- common mode protection:
 - I_{max} (8/20 μs): 10kA
 - I_n (8/20 μs): 5kA
 - U_p: 1.2kV
- differential mode protection:
 - I_{max} (8/20 μs): 10kA
 - I_n (8/20 μs): 3kA
 - U_p: 1kV

Auxiliaries

- adaptable remote indication modules, EM/RM



MEN Earthing System 1 Phase

STD

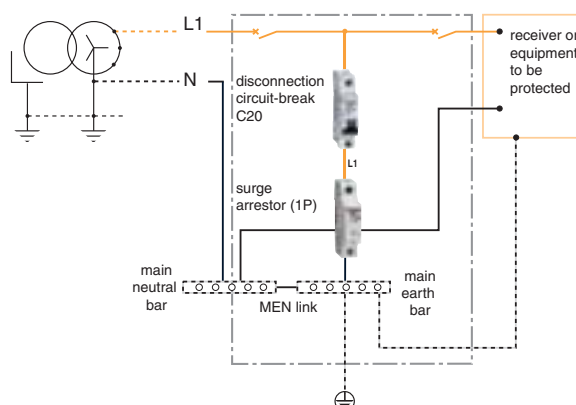
In: Rated Discharge Current (20 times 8/20 wave): 5kA
 I_{max}: Maximum Discharge (once) Current 8/20 wave/max: 10kA

Cat No. 16600

STM

In: Rated Discharge Current (20 times 8/20 wave): 15kA
 I_{max}: Maximum Discharge (once) Current 8/20 wave/max: 40kA

Cat No. 16604



Dimensional Drawings on Page 25.

TIME SWITCHES



Merlin Gerin time switches are designed to control heating, lighting, irrigation and hot water cylinders through automatic switching.
For larger loads above switching capacity of the timers, use MG CT Contactors (see page 20 & 21).



24 Hour Analogue Timer

Cat No. 15335

Rated Operational Voltage	
Ue (~50Hz):	230V AC \pm 10%
Switching Capacity	
Maximum Resistive:	16A
Maximum Inductive Cos 0.6:	4A
Maximum Incandescent:	1350W
Minimum Switching Load:	None
Minimum Programmable Time between switching operations:	15 mins
Accuracy:	Mains synchronized
Operating Temperature:	Min -25°C Max +55°C
Comes with manual switch ON/Automatic and sealable cover	
Power Reserve:	None
Terminal capacities:	2 x 1.5mm ²



24 Hour + 7 Day Digital Timer

Cat No. 15725

Rated Operational Voltage	
Ue (~50Hz):	230V AC \pm 10%
Switching Capacity	
Maximum Resistive:	16A
Maximum Inductive Cos 0.6:	2.5A
Maximum Incandescent:	1000W
Minimum Switching Load:	None
Minimum Programmable Time between switching operations:	1 min
Memory Locations:	48
Accuracy:	\pm 1 sec. Per day
Operating Temperatures:	Min. -10°C Max + 55°C
Power Reserve	3 years
Terminal Capacities:	2 x 1.5mm ²

Dimensional Drawings on Page 25.



8VA Bell Transformer

Cat No. 15216

Bell transformers and safety transformers allow for a very low voltage (ELV 8V or 12V) to be obtained from a low voltage network (LV 230V).

All Multi 9 transformers are :

- safe: primary and secondary circuits are perfectly insulated by each other
- resistant to short-circuit currents thanks to the built-in device
- class II with terminal shield (optional)

Technical Data

- primary voltage: 230V AC \pm 10%
- secondary voltage on load:
 - 8-12V AC \pm 15 % for bell transformers
- frequency: 50Hz... 60Hz
- compliance with standards : NF EN 60742, EN 61558-1, IEC 61558-1
- approval NF USE
- connection: tunnel terminals for cables up to 4mm²

transformer reference	rated secondary voltage (V)	off load voltage (V)
15216	8	13
	12	18

Note: Transformers have an off load operating voltage that is higher than the rated voltage. For loads that are sensitive to overloads (electro-magnetic circuits), the transformer must be made to operate at In. After operation of the protection device upon an overload, cut-off the power supply and let the transformer cool down before restart.

kW Hour Meter



1P+N 63A 230V

Cat No. 17065

ME1

Single-phase digital kilowatt hour meter designed to measure the electrical power consumed by a single-phase circuit.

They are equipped with a total meter, a yellow metering indicator light (flashing) and with cabling error indication.

Common Technical Data

- direct measurement (without CT) up to 63A
- compact dimensions
 - 4 modules of 9mm
- U = 230V \pm 10%, 50/60Hz
- Accuracy class: 2
- -25°C + 55°C
- Consumption: 2.5VA
- Terminals: power: 16mm²
- Total meter:
 - capacity: 999.99MWh
 - display: in kWh or MWh, with 5 significant digits
- Conforms with standard IEC 1036 (with sealable enclosure)

Dimensional Drawings on Page 25.

CONTACTORS



The CT modular contactors control single-phase, three-phase and four-phase circuits up to 100A.

Common Technical Data

- power circuit:
 - voltage rating: - 250V 1P and 2P
- 400V 3P and 4P
 - frequency: 50 Hz
- control circuit:
 - voltage rating: - 230/240V: -15% +6%
 - coil frequency: 50Hz
- utilisation temperature: -5°C to +60°C
- tropicalisation: treatment 2 (relative humidity: 95% at 55°C)
- complies with standard: EN 61.095, IEC 1095
- silent operation (< 20 dB) for the entire range
- connection:
 - by tunnel terminals
 - control circuit
 - with flexible cables: 2 x 2.5mm²
 - with rigid cables: 2 x 1.5mm²
 - power circuit:
 - with flexible cables:
 - 2 x 2.5mm² for 16 and 25A
 - 2 x 10mm² for 40 and 63A
 - with rigid cables:
 - 6mm² for 16 and 25A
 - 25mm² for 40A and 63A

- pilot light on the front face of each device (red indicator light: coil live)
- inrush and holding power:

type	rating (A)	consumption inrush (VA)	holding (VA)	power (W)
1P, 2P	16/25	15	3.8	1.3
3P, 4P	25	34	4.6	1.6
2P	40/63	34	4.6	1.6
3P, 4P	40/63	53	6.5	2.1

Specific Technical Data

CT-100A

- power circuit:
 - current ratings at 40°C: 16 to 100A (AC7a category)
- power circuit connection
 - with flexible cables: 2 x 35mm² for 100A
 - with rigid cables: 50mm² for 100A
- inrush and hold power:

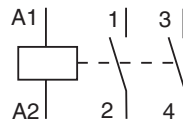
type	rating (A)	consumption inrush (VA)	holding (VA)	power (W)
2P	100	53	6.5	2.1
4P	100	106	13	4.2



2 Pole, 25A, 240V AC Contactor

Cat No. 15959

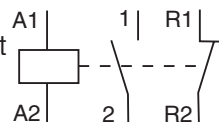
2 N/O Contacts



2 Pole, 16A, 240V AC Contactor

Cat No. 15956

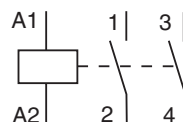
1 N/O, 1 N/C Contact



2 Pole, 40A, 240V AC Contactor

Cat No. 15966

2 N/O Contacts



Dimensional Drawings on Page 26.

Lighting Application AC5a and AC5b Categories

- the following tables concern all the contactors from the CT range, with or without manual control, for 230V single-phase lighting circuits
- they indicate the contactor rating to be chosen according to the number and type of lamps to be controlled. As a guideline, maximum power is also given

type of lighting application 230V single-phase circuit power (W)	maximum number of lamps for a given rating		
	CT contactors		
	16A	25A	40A

incandescent lamp with or without halogen gas

	16A	25A	40A
40	38	57	115
60	30	45	85
75	25	38	70
100	19	28	50
150	12	18	35
200	10	14	26
300	7	10	18
500	4	6	10
1000	2	3	6

12V halogen lamp (on ELV electromagnetic transformer)

	16A	25A	40A
20	15	23	42
50	10	15	27
75	8	12	23
100	6	9	18
150	4	6	13

26mm fluorescent tube (single parallel-corrected)

	16A	25A	40A
15	15	20	40
18	15	20	40
20	15	20	40
36	15	20	40
40	15	20	40
58	10	15	30
65	10	15	30
115	5	7	14
140	5	7	14

26mm fluorescent tube (single uncorrected)

	16A	25A	40A
15	22	30	70
18	22	30	70
20	22	30	70
36	20	28	60
40	20	28	60
58	13	17	35
65	13	17	35
115	7	10	20
140	7	10	20

26mm fluorescent tube (dual serial-corrected)

	16A	25A	40A
2 x 18	30	46	80
2 x 20	30	46	80
2 x 36	17	25	43
2 x 40	17	25	43
2 x 58	10	16	27
2 x 65	10	16	27
2 x 118	6	10	16
2 x 140	6	10	16

- to obtain an equivalence on:
 - three-phase + neutral circuits: multiply the number of lamps and the power indicated in the table by 3
 - three-phase without neutral circuits: multiply the number of lamps and the power indicated in the table by 1.7

type of lighting application 230V single-phase circuit power (W)	maximum number of lamps for a given rating		
	CT contactors		
	16A	25A	40A

26mm fluorescent tube (4 tubes, serial correction)

	16A	25A	40A
4 x 18	15	23	46

electronic ballast (1 x 26mm tube)

	16A	25A	40A
18	74	111	222
36	38	58	117
58	25	37	74

electronic ballast (2 x 26mm tubes)

	16A	25A	40A
2 x 18	36	55	111
2 x 36	20	30	60
2 x 58	12	19	38

electronic compact lamp (low consumption)

	16A	25A	40A
7	133	200	400
11	80	120	240
15	58	88	176
20	44	66	132
23	38	57	114

low pressure sodium vapour lamp (without correction)

	16A	25A	40A
18	18	34	57
35	4	9	14
55	5	9	14
90	3	6	9
135	2	4	6
180	2	4	6

low pressure sodium vapour lamp (with parallel correction)

	16A	25A	40A
18	14	21	40
35	3	5	10
55	3	5	10
90	2	4	8
135	1	2	4
180	1	2	5

high pressure sodium vapour lamp (without correction)

	16A	25A	40A
70	8	12	20
150	4	7	13
250	2	4	8
400	1	3	5
1000	-	1	2

high pressure sodium vapour lamp (with parallel correction)

	16A	25A	40A
70	6	9	18
150	6	9	18
250	2	3	6
400	2	4	8
1000	1	2	4

Heating Application AC7a and AC1 Categories

- the following table concerns all the contactors in the CT range, with or without manual control, for 230V single-phase and 400V three-phase heating circuits
- it indicates the contactor rating to be chosen according to the power to be controlled and the number of operations a day

type of heating application number of operations/day	maximum power (kW) for a given rating	
	CT contactors	
	25A	40A

230V heating

	16A	25A	40A
25	5.4	8.6	
50	54	8.6	
75	4.6	7.4	
100	4	6	
250	2.5	3.8	
500	1.7	2.7	

400V heating

	16A	25A	40A
25	16	26	
50	16	26	
75	14	22	
100	11	17	
250	5	8	
500	3.5	6	

Small Motor Application AC7b category

- the following table concerns all the contactors in the CT range, with or without manual control, for 230V single-phase and 400V three-phase circuits
- it indicates the contactor rating to be chosen according to the power of the motor to be controlled

small motor application type voltage	maximum power (kW) for a given rating	
	CT contactors	
	25A	40A

single-phase motor with capacitor

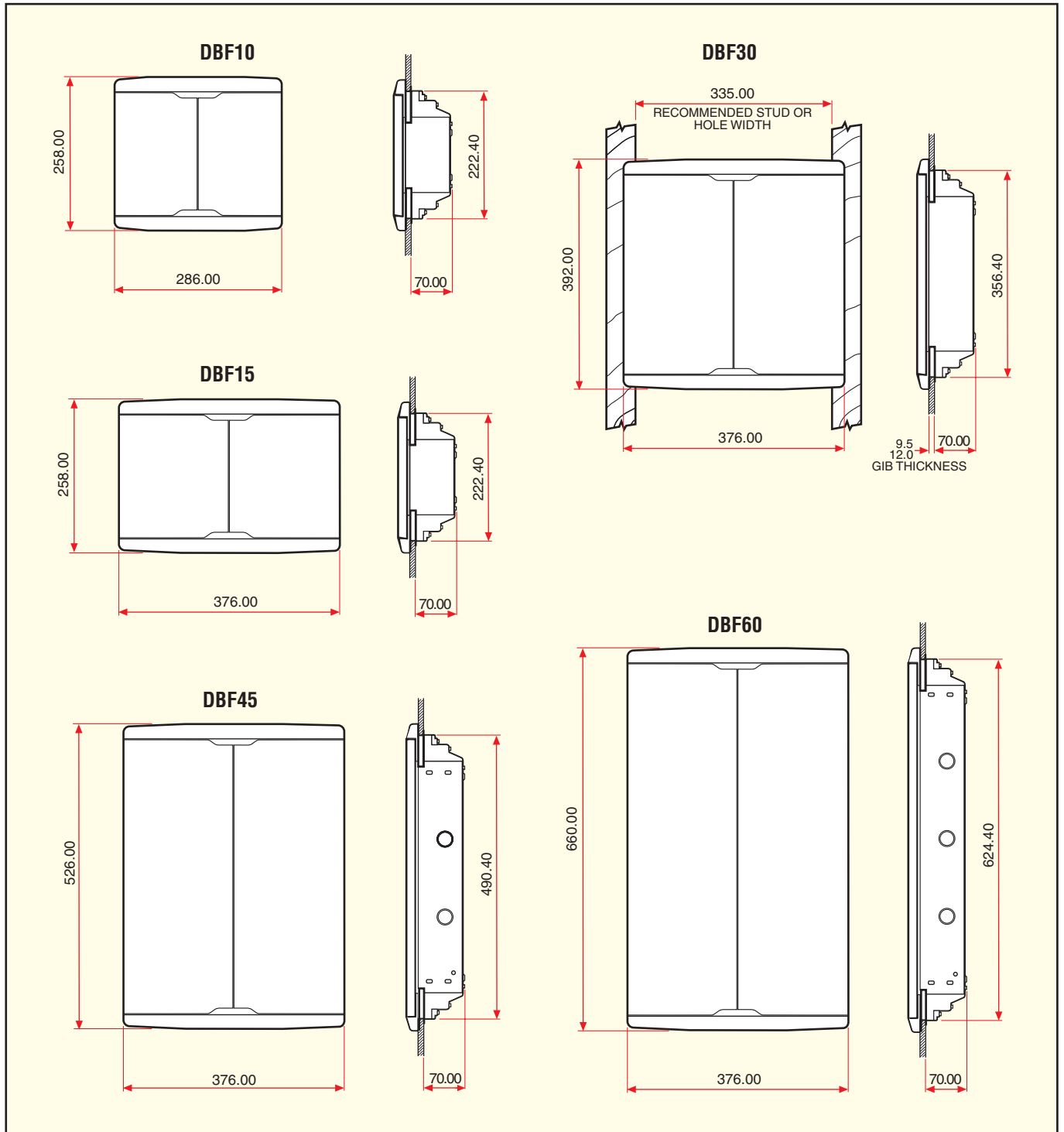
	16A	25A	40A
230V	1.4	2.5	

three-phase motor

	16A	25A	40A
400V	4	7.5	

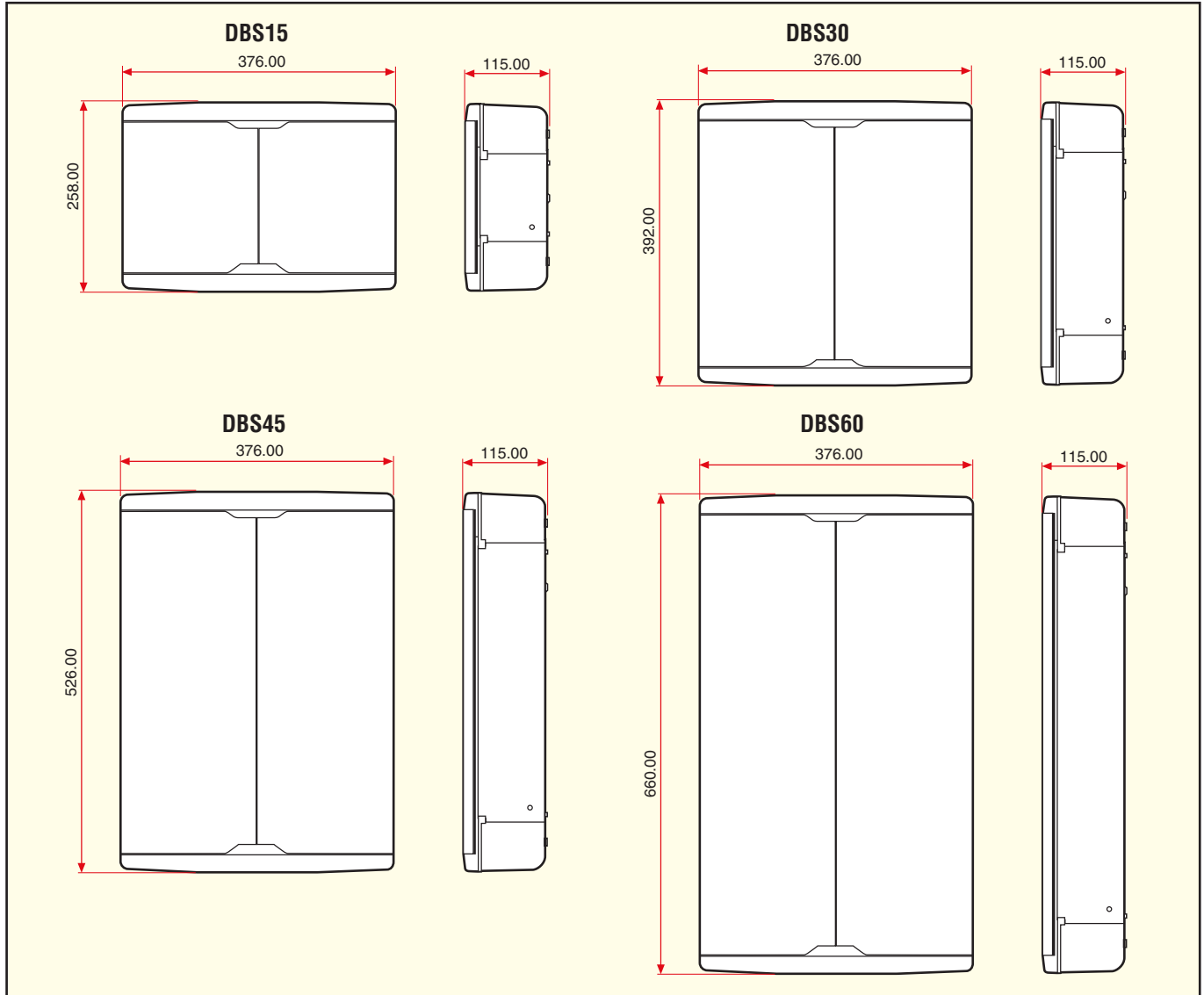
DIMENSIONAL DRAWINGS

DBF Series – Flush Mounting Boards



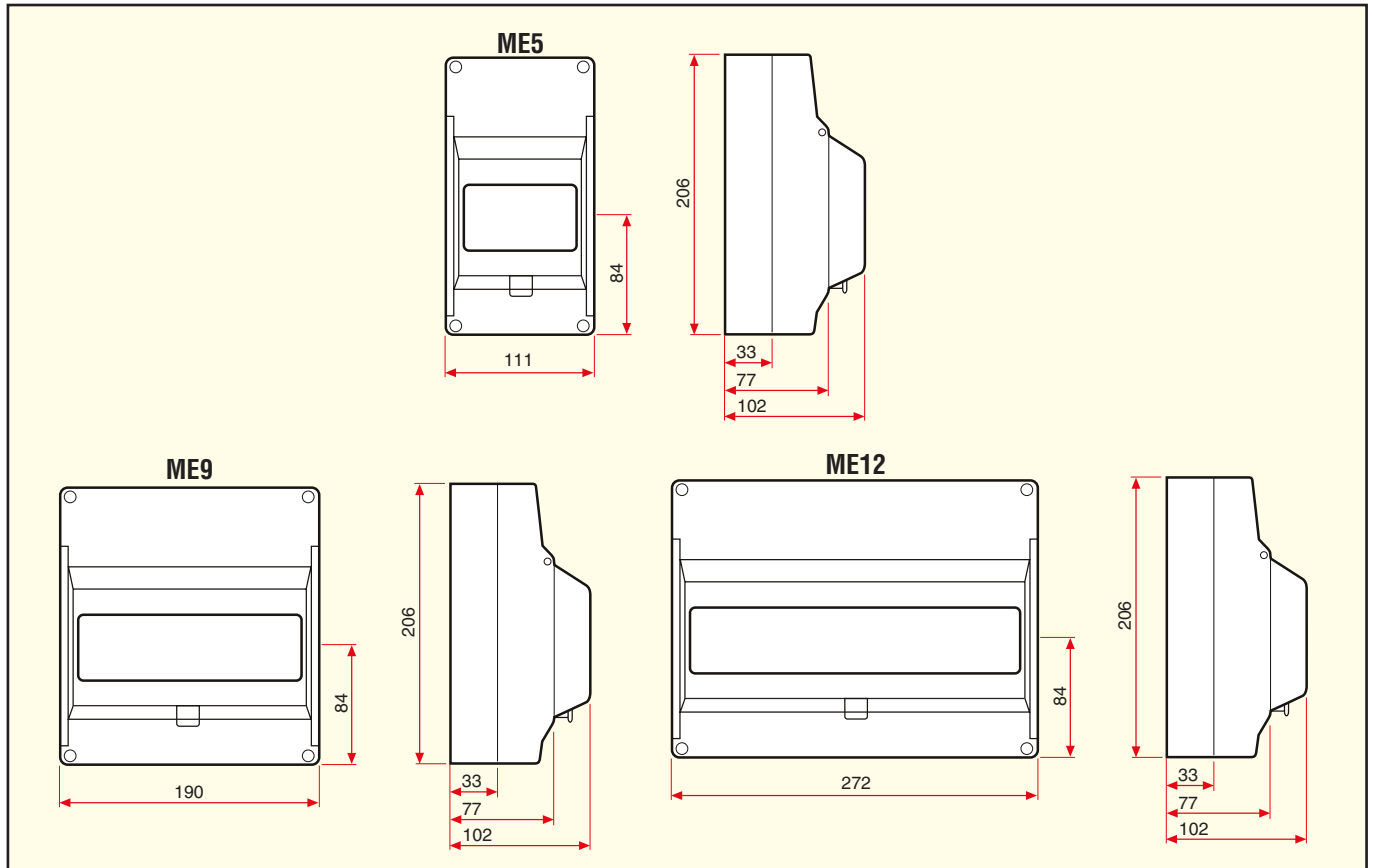
DIMENSIONAL DRAWINGS

DBS Series – Surface Mounting Boards

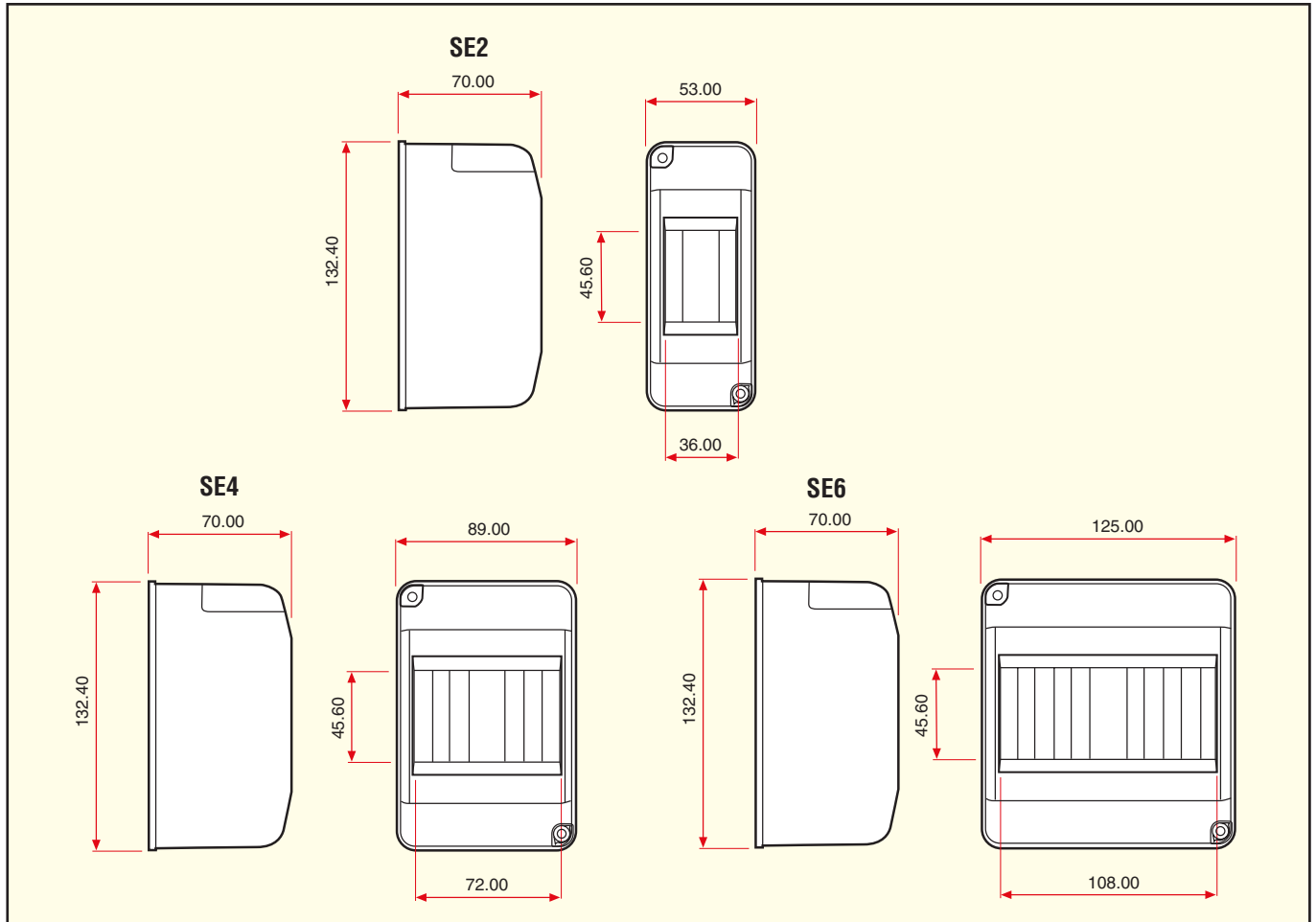


DIMENSIONAL DRAWINGS

ME Series – Surface Mounting Boards

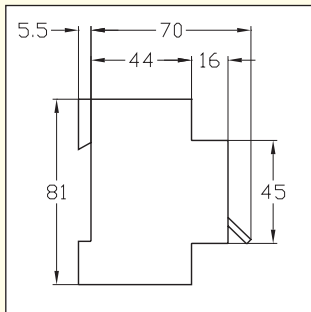


SE Series – Surface Mounting Enclosures

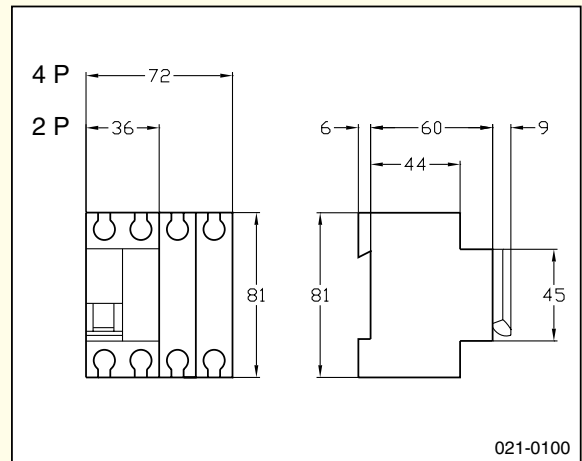


DIMENSIONAL DRAWINGS

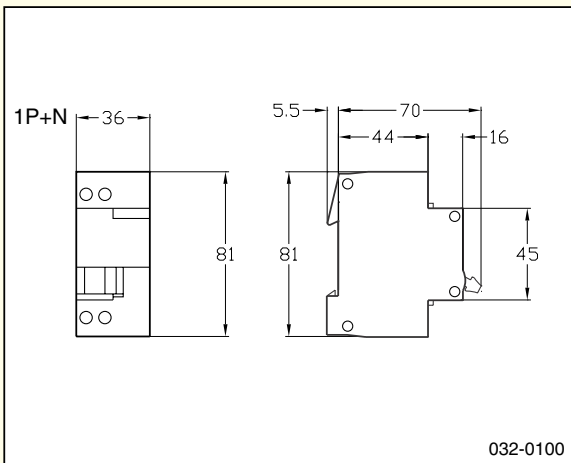
Miniature Circuit Breakers – MCBs



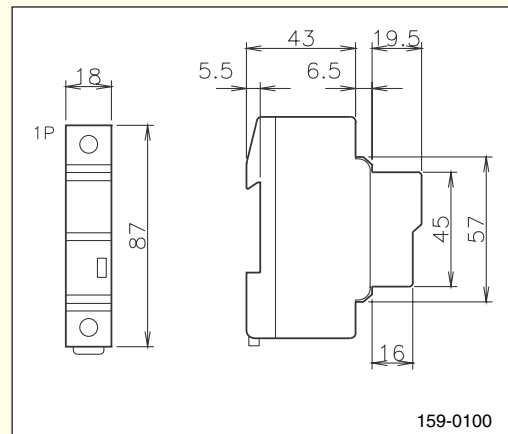
Residual Current Circuit Breakers – RCCBs



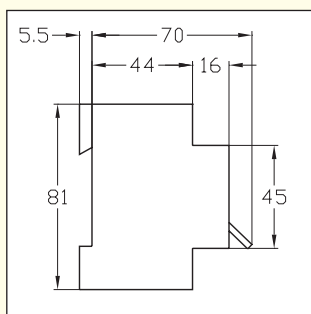
Residual Current Circuit Breakers with Overcurrent Protection – RCBOs



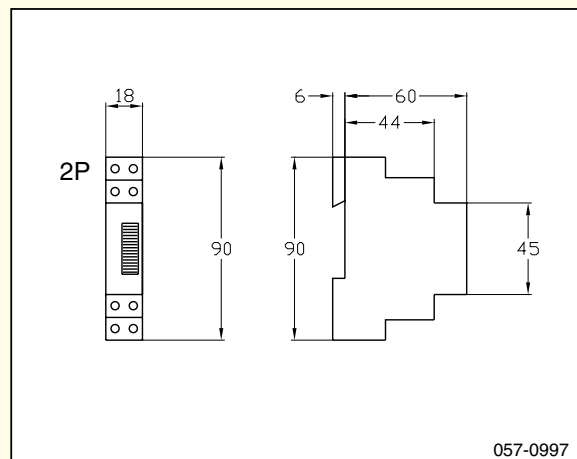
Voltage Surge Protectors



Isolating Switches

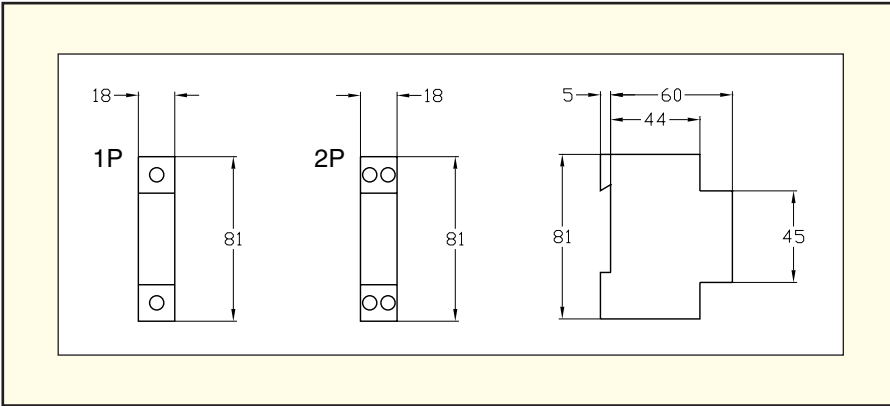


Time Switches

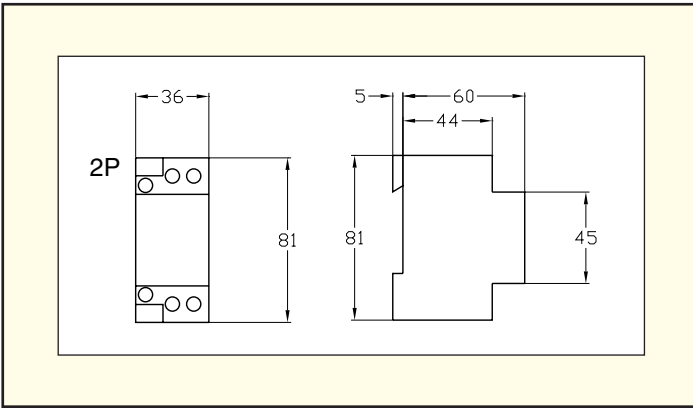


DIMENSIONAL DRAWINGS

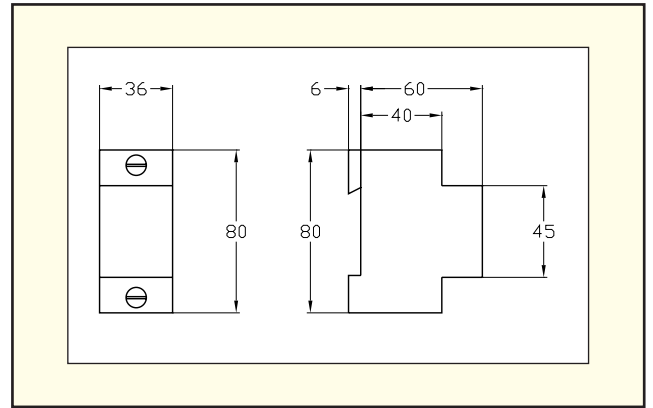
Standard Contactors 16/25A



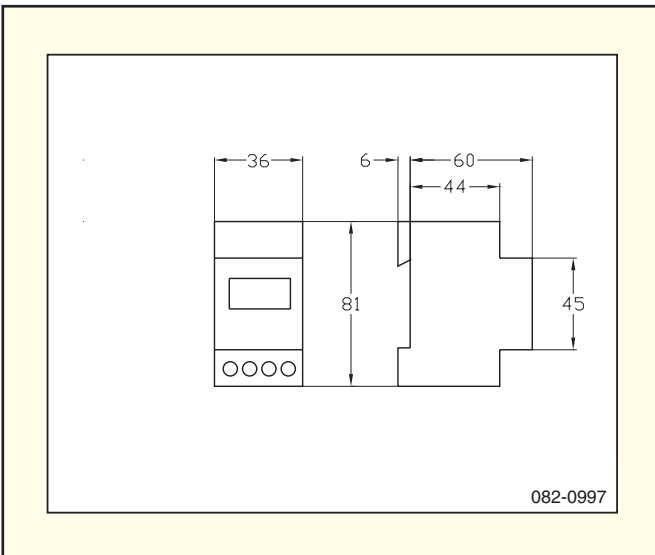
Standard Contactors 40/63A



Bell Transformer



kW Hour Meter



Chemical resistance now there's a **choice** of **orange** or **white***

PDL's orange 56 Series™ is proven to offer chemical resistance in tough industrial situations.

Now there's a white version for clean, clinical environments.

Here are some good reasons to choose PDL 56 Series orange or white:

- Chemically-resistant
- Rated IP66
- Fully modular assembly for total versatility
- Proven in the field
- PVC compatibility
- Fully compliant with AS/NZ standards
- Made in New Zealand

* Plugs and connectors are available in orange only



Distribution Solution to IP66

Weather Protected Distribution Board

- IP66
- Up to 13 Way (18mm accessories)
- Additional wiring space both top/bottom
- Supplied with Base (56E6 size) with dedicated conduit entries
- Supplied fitted with DIN rail, Earth, and Neutral (2) bars
- Transparent cover flap
- Lockable cover
- Based on industry proven technology and part of the modular PDL 56 Series™
- Complies with AS/NZS3439.3

Ordering Information:

Stock code:

- 56CB13
- Available in grey as standard with orange & white available on request



Schneider Electric products are available through electrical wholesalers New Zealand wide

For PDL Electrical Products are designed to ISO 9001

Freecall 0800-652 999, Freefax 0800-101 152

Email sales@nz.schneider-electric.com

Online product detail www.pdl.co.nz and www.merlingerin.com

