

NEW PRODUCT DATA AND APPLICATION SHEET

CATALOGUE #	DESCRIPTION	BARCODE #
56P320	STRAIGHT PLUG 3 PIN 20A 250V	9416175038525
56P320QC	STRAIGHT PLUG 3 PIN 20A 250V QUICK CONNECT	9416175231810
56P416	STRAIGHT PLUG 4 PIN 16A 500V	9416175038969
56P416K	STRAIGHT PLUG 4 PIN 16A 500V SPECIAL KEY***	9416175038976
56P416QC	STRAIGHT PLUG 4 PIN 16A 500V QUICK CONNECT	9416175230967
56P420	STRAIGHT PLUG 4 PIN 20A 500V	9416175038983
56P420QC	STRAIGHT PLUG 4 PIN 20A 500V QUICK CONNECT	9416175230974
56P516	STRAIGHT PLUG 5 PIN 16A 500V	9416175039041
56P516QC	STRAIGHT PLUG 5 PIN 16A 500V QUICK CONNECT	9416175231247
56P520	STRAIGHT PLUG 5 PIN 20A 500V	9416175039058
56P520QC	STRAIGHT PLUG 5 PIN 20A 500V QUICK CONNECT	9416175231179
56P616	STRAIGHT PLUG 6 PIN 16A 500V	9416175039102
56P716	STRAIGHT PLUG 7 PIN 16A 500V	9416175039119
56P720	STRAIGHT PLUG 7 PIN 20A 500V	9416175039126
56AM25	CONDUIT NUT ADAPTOR M25	9416175232565

***Special key for high cycle applications.

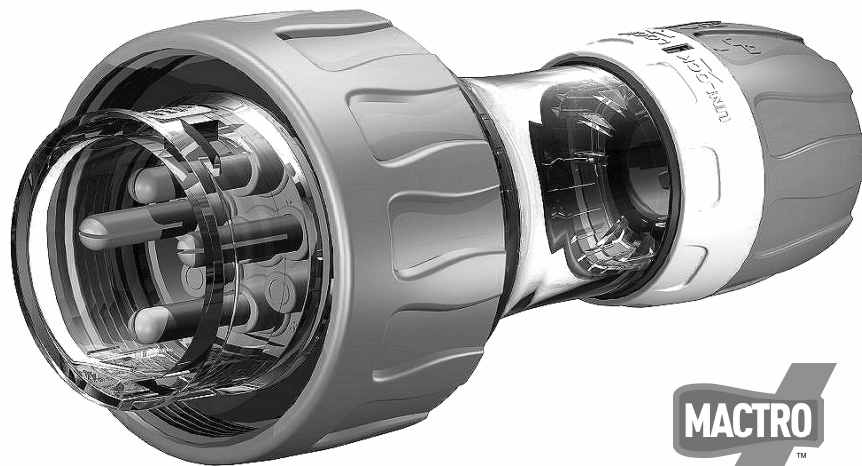
Available in orange/clear as standard.

Chemical resistant orange plugs are available in screwed terminal versions only. These plugs are fully orange. To order add "V" in the part number. E.g. 56PV320

DESCRIPTION	56 Series™ Straight Plug 16A & 20A, IP66
--------------------	---

BOX QUANTITY 4

OUTER QUANTITY N/A



NEW PRODUCT DATA AND APPLICATION SHEET

FEATURES

Screw-less assembly. Access for maintenance and assembly is fast & easy.
 Mactro™ technology cable seal with integral cord clamp, no more onion rings, or fiddly cord clamps.
 Quick Connect Terminals. Stainless steel conductor-clamping cage means consistent clamping force. Cannot over tighten or vibrate loose.
 Large clearly labelled screwed terminal versions also available.
 Superior ergonomics, longer lock-ring, improved grip.
 Clean-lines minimises dirt-traps.
 Increased wiring room.
 High impact UV-stable plastics.
 Transparent bodies for easy inspection of terminations.
 Chemical resistant versions also available. (These plugs are fully orange)
 Adaptor for larger cables (56AM25) fits to plug body.

SPECIFICATIONS

Complies with:
 AS/NZS3123, IEC60309, AS/NZS3100 and AS60529-IP66

For pin configurations refer to PDL 56 Series™ catalogue, PDL 56 Series™ Plugs & Connectors new product release brochure, or go to: www.pdl.co.nz

RATINGS

Screwed Terminals:

250V 20A - 3 pin.
 500V 16A - 4, 5, 6 & 7pin.
 500V 16A – 4-pin high cycle.
 500V 20A – 4, 5 & 7 pin.
 Number of pins includes earth.

Cable Entry Diameter:
 7mm (min) - 16mm (max)
 Terminal, conductor capacity:
 1mm² (min) – 6mm² (max)

Quick Connect Terminals:

250V 20A - 3 pin.
 500V 16A – 4 & 5 pin.
 500V 20A – 4 & 5 pin.

Cable Entry Diameter:
 7mm (min) - 16mm (max)
 Terminal, conductor capacity:
 1mm² (min) – 4mm² (max)

56AM25 – Suits metric 25mm threaded conduit adaptor.
 Best fit screwdriver – 4mm flat blade

APPLICATIONS

Industrial and commercial, including workshops, maintenance facilities, building sites, farming industry and other areas where robust and reliable electrical equipment is required.
 -40°C to 55°C
 IP66 weather protection when fitted to a 56 Series™ socket outlet or cord connector.